

# A new, quiet, smooth running marine power-plant from Westerbeke

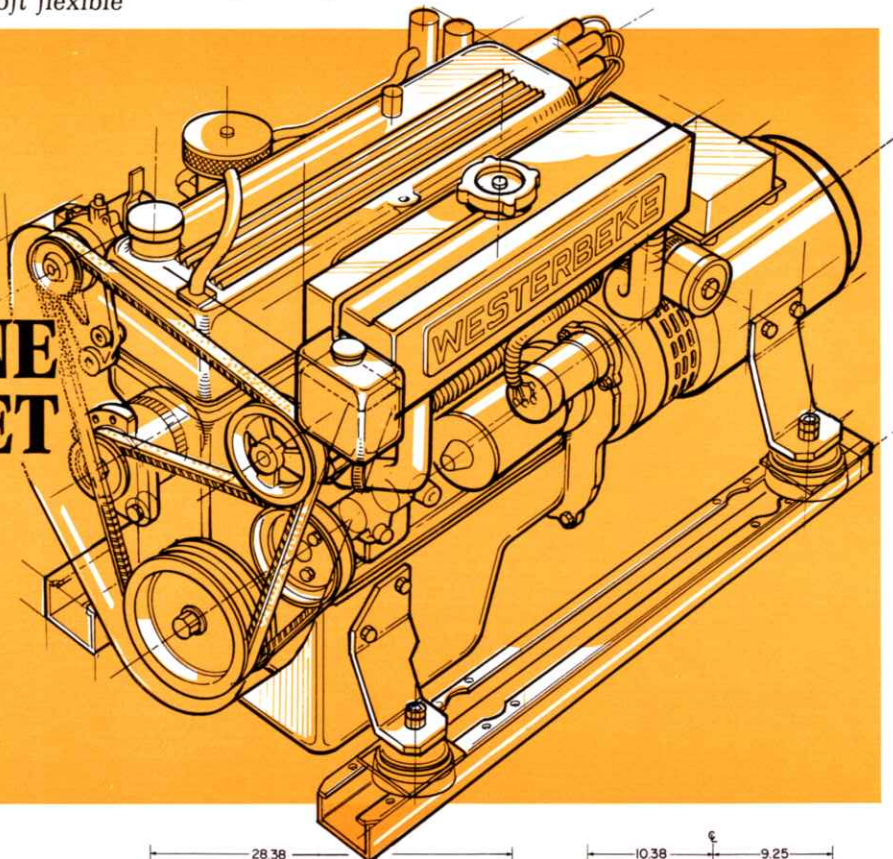
A small, reliable, smooth running Generator Set for all your shipboard needs; electrical power at the turn of a switch for: Air Conditioning, Electric Cooking, Microwave Oven, Refrigeration, Cabin Appliances, Power Tools, and Navigation/Communication Equipment. Like all Westerbeke Generator Sets, it is fresh water cooled with an Engine mounted Heat Exchanger. The Engine and Generator are connected through special Drive Discs, Flywheel and Flywheel Housing into a compact carefully aligned Generator Set. The complete unit is mounted on lightweight rails through soft flexible

Isolator Mounts that prevent the transfer of vibration. A lightweight removable Drip Tray is fitted under the unit between the mounting rails. The generator components meet the safety regulations of U.S. Coast Guard 33 CFR-183.

The Westerbeke 8 is lightweight, safe, dependable, durable, and economical to operate. Designed to operate at a quiet 1800 RPM, the Westerbeke 8 offers 4 cylinder, 4 cycle smoothness to provide electrical conveniences usually found only on large boats.

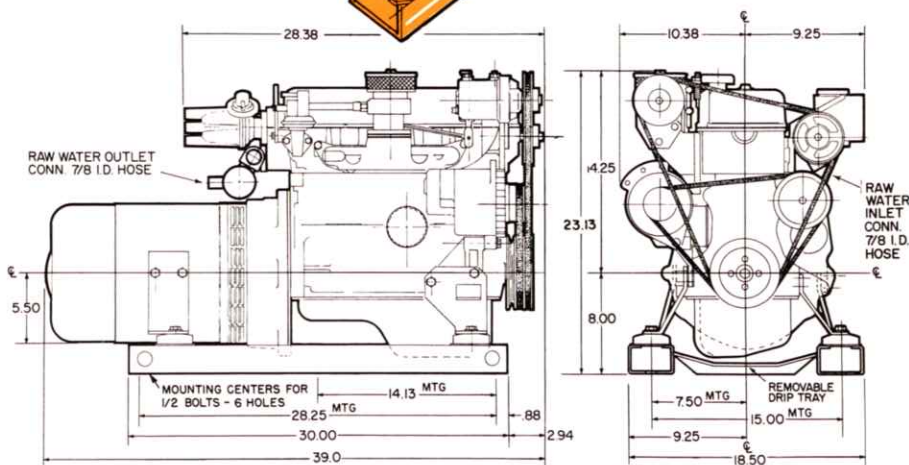
## WESTERBEKE 8KW GASOLINE MARINE ENGINE GENERATOR SET

- SMOOTH AND QUIET FOUR CYLINDER PERFORMANCE
- ENCLOSED FRESH WATER COOLING
- AUTOMATIC SAFETY SHUT-DOWNS
- SIMPLE ENGINE AND GENERATOR CONTROLS FOR RELIABILITY



### STANDARD EQUIPMENT

- Overspeed Shutdown
- High Water Temperature Shutdown
- Low Oil Pressure Shutdown
- Lightweight Mounting Rails
- Vibration Isolator Mounts
- High Exhaust Temperature Shutdown
- Flexible Fuel Supply Line
- Lifting Eyes
- Belt Guard
- Fresh Water Cooled Exhaust Manifold
- Raw Water Pump
- 51 Amp Alternator (Ignition Protected)
- Hoof Speed Governor
- Down Draft Carburetor
- Flame Arrestor (USCG Approved)
- RFI Reduction (Ignition Shielding)
- Water Injected Elbow
- Fresh Water Coolant Recovery Tank
- Lube Oil Drain Hose



### OPTIONAL EQUIPMENT

- Remote Control Panel
- 15' Connector for Remote Panel
- Ship/Shore Transfer Switch
- Hydro-Hush B (water lift silencer)
- Remote Engine Instruments



Hydro-Hush B (water lift silencer)



**GASOLINE GENERATORS: 6.5kw • 8kw • 11kw**

Fresh Water Cooled Diesel and Gasoline Generators from Westerbeke



# WESTERBEKE 8 KW MARINE GASOLINE GENERATOR

**WESTERBEKE 8 KW**

**DESIGN:** Four pole revolving armature, inherently regulated, self limiting, rectifier excited, A.C. slip rings, single bearing design.

**VOLTAGE REGULATION:** ± 7% no load to full load.

**FREQUENCY REGULATION:** 3 Hertz (5%) no load to full load.

**INSULATION:** Class F as defined by NEMA MGI-1.65

**TEMPERATURE RISE:** Within NEMA MGI-22.40 definition when operating @ full load.

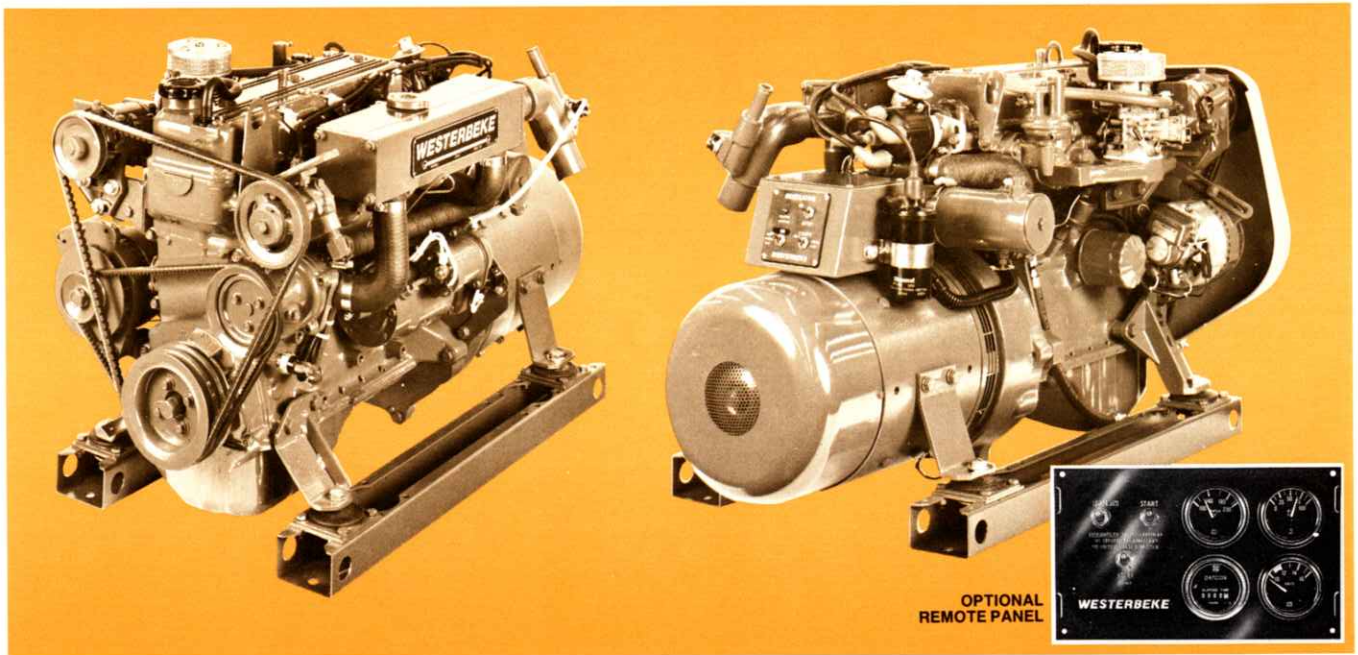
**COOLING:** Centrifugal blower, direct connected.

**RADIO INTERFERENCE LEVEL:** Capacitors minimize interference within the limits of most marine applications.

**ARMATURE:** Balanced laminted steel, double dipped and baked.

ELECTRICAL CHARACTERISTICS						RATINGS		DERATINGS	ENGINE	
Model	Volts	Amps	Hertz	Phase	Wire	Power Factor	KW		RPM	Start
8.0-614*	120/240	34	60	1	4	1.0	8	3.5% each 1000 feet above sea level. 1% for each 10° Fahrenheit above 85° Fahrenheit ambient. 10% for continuous duty.	1800	Remote
6.0-514*	120/240	25	50	1	4	1.0	6		1500	Remote

\*Reconnectable to 120 Volts @ twice the amperage.



### ENGINE

Engine type . . . . . 4 cylinder, 4 cycle  
 Displacement . . . . . 65 C.I.  
 Horsepower . . . . . 18 @ 1800 RPM  
 Compression ratio . . . . . 9.2:1  
 Fuel . . . . . Gasoline  
 Block . . . . . Cast iron  
 Value system . . . Single overhead cam, chain driven  
 Main bearings . . . . . Five  
 Carburetor . . . . . Down draft type with U.S.C.G. approved flame arrestor  
 Governor . . . Hoof, flyball type, 5% speed regulation  
 Ignition system . . . . . Horizontal distributor type (to reduce height).  
 Ignition system R.F.I. suppressed  
 Weight . . . . . 533 lbs.  
 Starting motor . . . . . 12 volt negative ground  
 Battery charging alternator . . . . . 51 amps

From its overhead cam and rocker assembly to its rugged five main bearing crankshaft, our gasoline model engine is as modern as tomorrow. Now owners can cruise in quiet comfort knowing their electrical supply is dependable. Like all Westerbeke engines and generator sets, it is protected from corrosion by fresh water cooling.

**CALL YOUR WESTERBEKE REPRESENTATIVE**

OR CONTACT THE . . .



**J. H. WESTERBEKE CORP.**

AVON INDUSTRIAL PARK, AVON, MASS. 02322 • (617) 588-7700  
 CABLE: WESTCORP, AVON • TELEX: 92-4444